

Arace Supply Switch and Outlet Boxes

Old Work Switch and Outlet Boxes

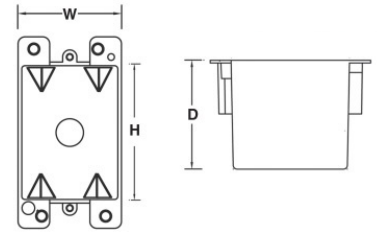


Our Old Work, cut-in switch and outlet boxes are designed for renovation and retrofit projects in residential and light commercial settings. These boxes feature secure mounting tabs for easy installation in existing walls. Compatible with all standard devices and switches, they offer convenience and adaptability.

- ETL Listed
- ETL 2 Hour Fire Rated for in-wall use
- Conforms to UL 514-C
- Secure mounting tabs
- Long lasting and cost saving

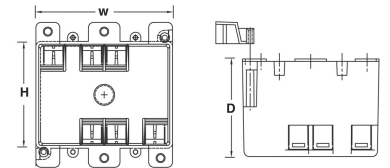
One-Gang

Ctn Qty	Dimensions (in)			Cu. In
	L	W	D	
50	4-1/8	2-15/16	3-5/8	20



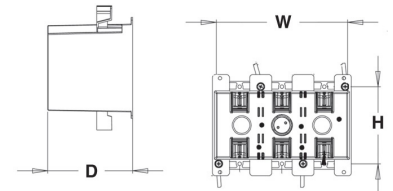
Two-Gang

Ctn Qty	Dimensions (in)			Cu. In
	L	W	D	
30	3-15/16	3-1/8	2-3/4	25



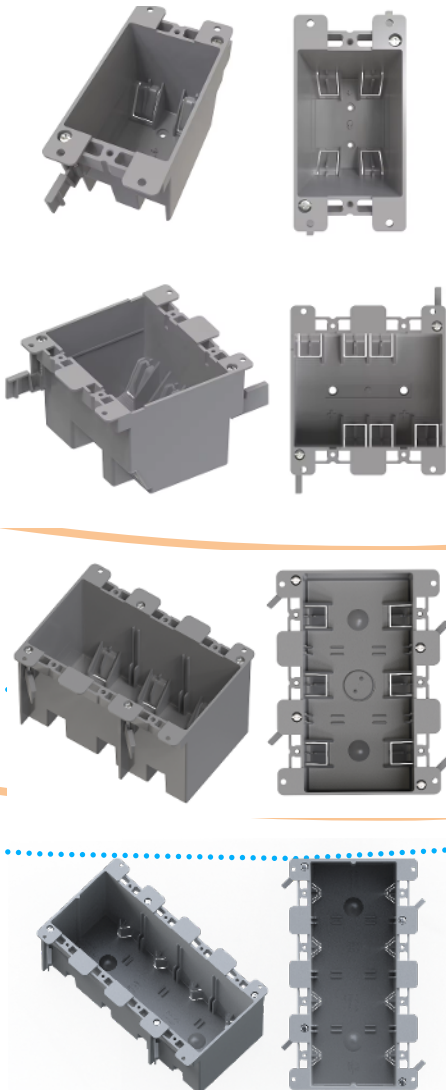
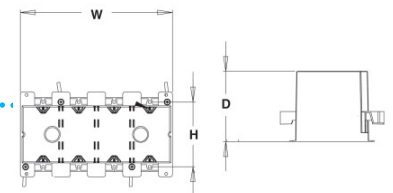
Three-Gang

Ctn Qty	Dimensions (in)			Cu. In
	L	W	D	
6	5.72	2.79	3.69	55



Four-Gang

Ctn Qty	Dimensions (in)			Cu. In
	L	W	D	
6	3.5	7.8	4.5	68



Arace Supply Switch and Outlet Boxes

Old Work Switch and Outlet Boxes

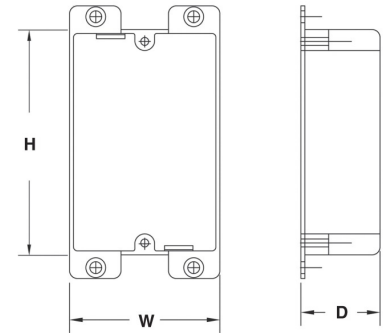


Our compact 8 cu in and 14 cu in One Gang Old Work, cut-in switch and outlet boxes are perfect for renovation and retrofit projects in residential and light commercial applications. These smaller boxes feature secure mounting tabs for easy installation in existing walls, making them ideal for tight spaces or when a shallow box is needed. Compatible with all standard devices and switches, they offer convenience and adaptability.

- ETL Listed
- ETL 2 Hour Fire Rated for in-wall use
- Conforms to UL 514-C
- Secure mounting tabs
- Compact Size
- Long lasting and cost saving

One-Gang

Ctn Qty	Dimensions (in)			Cu. In
	L	W	D	
25	3-5/8	2-3/8	1-1/4	8



One-Gang

Ctn Qty	Dimensions (in)			Cu. In
	L	W	D	
50	4-1/8	2-1/4	2-3/4	14

